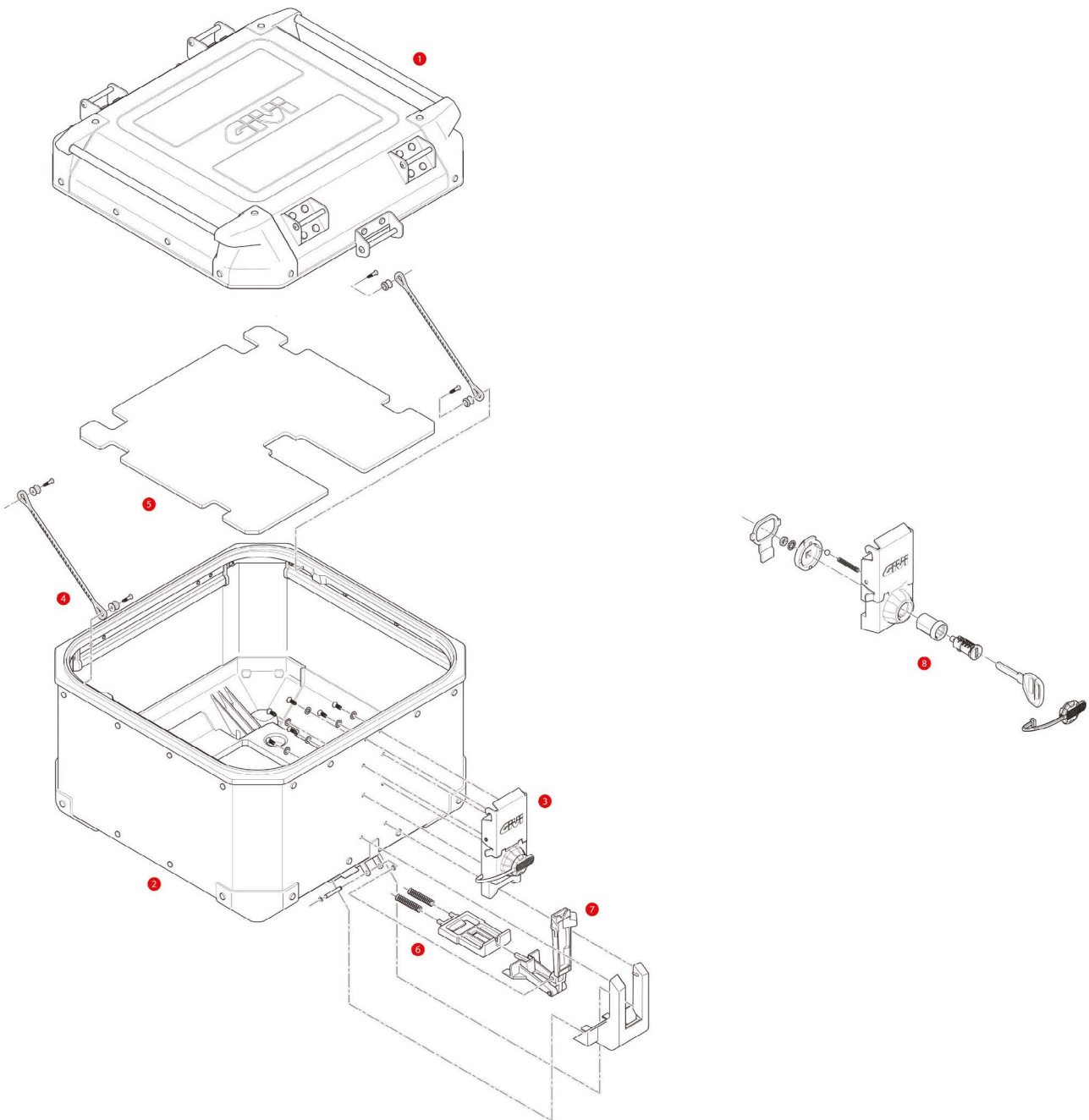


OBKN58A / OBKN58B / OBKN42A / OBKN42B TREKKER OUTBACK TOP CASE



ZOBKN58ACM	OBKN58A assembled Top Shell silver aluminium
ZOBKN58BCM	OBKN58B assembled Top Shell black aluminium
ZOBKN42ACM	OBKN42A assembled Top Shell silver aluminium
ZOBKN42BCM	OBKN42B assembled Top Shell black aluminium
ZOBK42AFM	OBK42A assembled Bottom Shell aluminium
ZOBK42BFM	OBK42B assembled Bottom Shell black aluminium
ZOBKN58AFM	OBKN58A assembled Bottom Shell aluminium
ZOBKN58BFM	OBKN58B assembled Bottom Shell black aluminium
ZOBKN42AFM	OBKN42A assembled Bottom Shell aluminium

ZOBKN42BFM	OBKN42B assembled Bottom Shell black aluminium
3	Z8024MR Lock set
4	Z115R Stop bag opening yarn, 2 pcs.
5	Z8098R Soft inner mat for OBK58
5	Z8099R Soft inner mat for OBK42
6	Z1782CR Bolt with springs
7	Z8025R Mounted release system
8	SL101 Security lock set including cylinder, 2 keys, bush and under lock platelets
	Z8032R Dustproof cap OBK42 / OBK58

TREKKER OUTBACK ATV 110 LTRS

ZOBK110ACM	OBK110A assembled Top Shell
ZOBK110AFM	OBK110A bottom shell
Z4822CPMOBK110R	Lock set OBK110A
Z115R	Stop bag opening yarn, 2 pcs.

Z8902R	Mat OBK110A
Z8903R	Rubber caps for OBK110A drainage
SL102	Security Lock key set for 2 cases, including bush and under lock platelets